



Description

Szk filing cabinets are designed to keep A4 documents and hanging files organised and easy to manage. Wide range of types makes it possible to precisely adjust the cabinets to current needs. Szk cabinets meet requirements of GDPR. They are an optimal choice for archives, reception areas, offices and medical practices where A4-size documents are present.





Body of the cabinet made of 0.8 – 1.5 mm thick metal sheet. It is equipped with double extension telescopic ball bearing slides that protect drawers against falling out. They are also equipped with a pull-out block that allows you to open no more than one drawer at a time - this is an additional improve of safety. The maximum load of the drawer is 50 kg. The content of Szk cabinets is secured by a central lock which locks all drawers at the same time.










Product does not need to be assembled, so it gains in strength and stability. They are equipped with levelling feet in scope of 10 mm. Cabinets are available in 16 colours in as a part of our standard offer. Szk cabinets can additionally be assembled with NSzk top cabinets.

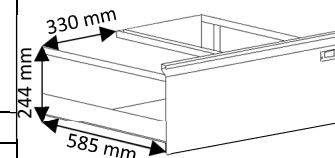
To ensure very good surface quality of steel sheet, the zirconium phosphating and zirconium conversion process was used before powder coating. This process ensures adequate corrosion protection for the specified environment and guarantees high adhesion for the powder coating.

By buying our product you support ecology, as cabinets made of metal are more durable than furniture made of other materials - you can easily repair, repaint or simply recycle them. Our factory is powered by solar energy, significantly reducing CO2 emission, in addition, more than 90% of waste powder paint after recycling goes back into production.

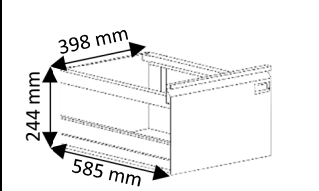
Characteristics

Version		
ST	<ul style="list-style-type: none"> • 5 years warranty (according to Malow's conditions). • Cabinet top and bottom are made of 1 – 1.5 mm thick steel sheet, other parts of cabinet body made of 0.8 - 1 mm thick steel sheet. • Drawer fronts made of 1- 1.5 mm thick steel sheet, other parts of the drawers made of 0.6 – 0.8 mm thick steel sheet. • Drawers designed to store A4 size hanging files and documents. • Drawers mounted on double extension telescopic ball bearing slides. • Maximum drawer load capacity is 50 kg. • Cabinet equipped with a central locking system to lock all drawers at the same time. • Adjustable feet for level regulation within scope of 10 mm. • Powder-coated furniture, available in 16 colours as standard. • Chipboard top available of an option (at extra charge). 	 <div style="display: flex; flex-direction: column; gap: 10px;"> <div data-bbox="1212 1444 1532 1568">  <p>Central lock with two keys</p> </div> <div data-bbox="1212 1590 1532 1713">  <p>Levelling feet</p> </div> <div data-bbox="1212 1736 1532 1859">  <p>Double extension ball bearing slides</p> </div> <div data-bbox="1212 1881 1532 2047"> <p>Drawer suitable for storing A4 documents and hanging files in one row (applies to Szk 101, 201, 301, 301/5)</p> </div> </div>

Available types			
	 A4	 A4	 A4
Name	Szk 101	Szk 201	Szk 301
Code	SZK 01010101	SZK 01020201	SZK 01030301
Size	715 x 415 x 633 mm	1008 x 415 x 633 mm	1292 x 415 x 633 mm
Internal dimension of a drawer (H x W x D)	244 (front: 280) x 330 x 585 mm		
Number of drawers	2	3	4
Rows inside drawer	1	1	1
	 A4	 A4	 A4
Name	Szk 102	Szk 202	Szk 302
Code	SZK 02010801	SZK 02020901	SZK 02031001
Size	721 x 775 x 633 mm	1007 x 775 x 633 mm	1292 x 775 x 633 mm
Internal dimension of a drawer (H x W x D)	244 (front: 280) x 690 x 585 mm		
Number of drawers	2	3	4
Rows inside drawer	2	2	2
	 A4	 A4	 A4
Name	Szk 104	Szk 204	Szk 306
Code	SZK 04010501	SZK 04020601	SZK 04030701
Size	721 x 482 x 633 mm	1007 x 482 x 633 mm	1292 x 482 x 633 mm
Internal dimension of a drawer (H x W x D)	244 (front: 280) x 398 x 585 mm		
Number of drawers	2	3	4
Rows inside drawer	1	1	1



Drawer suitable for storing **A4 documents and hanging files in two rows** (applies to Szk 102, 202, 302)



Drawer suitable for storing **A4 documents and hanging files in one row** (applies to Szk 104, 204, 306.)

Description of markings

 5-year warranty shows that we are confident in our products due to high quality workmanship and reliability. We want you to feel safe and satisfied with working with us.	 PZH approval is granted for a product that does not in any way adversely affect health or the environment.	 We offer 16 RAL colours as standard. Thanks to this our furniture can be matched to any interior.	 ISO certification confirms compliance with standards and the high quality of products and services we offer.	 Zircon technology provides very good corrosion protection for our products. In addition, this process improves paint adhesion.	 We test our products in our own laboratory, the Centre for Research and Development (CBR).	 Our products meet TÜV Rheinland standards, as confirmed by the GS mark.	
--	---	--	--	--	--	---	---