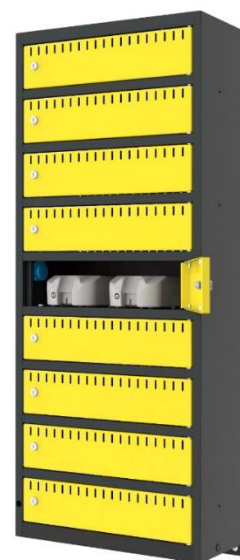
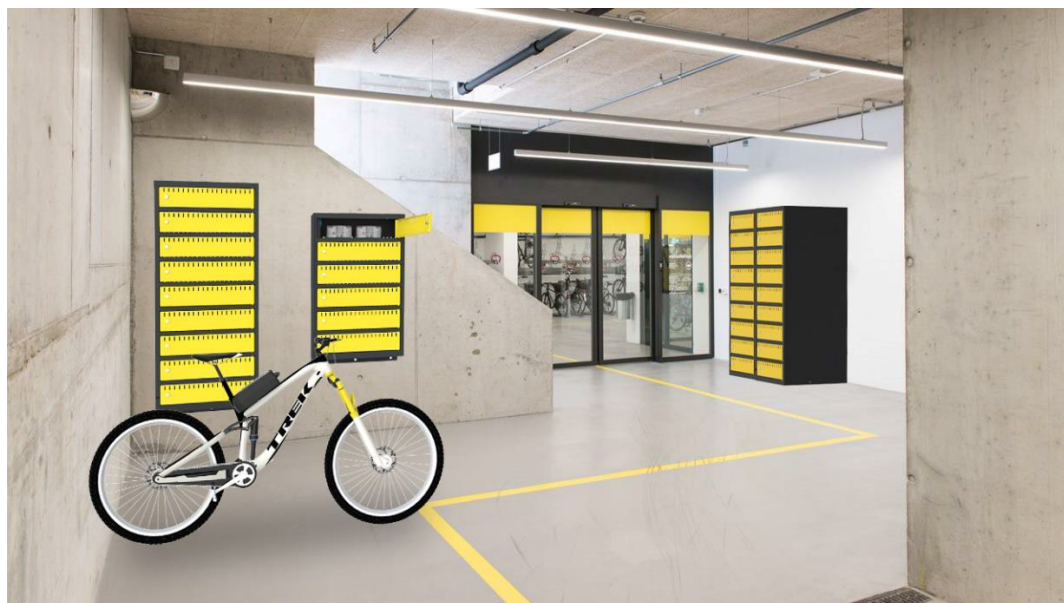


Bike battery charging locker

(with IP44 electrical installation)



Description:

Due to promotion of ecological means of transport, closing city centres to motorised traffic, more and more people start to use electric bikes. Thus, they are looking for an easy and practical way to charge batteries of their bikes. Bicycle battery charging lockers are an innovative solution for easy charging of batteries and storage of bicycle accessories.

The locker is available in two variants:




wall-mounted: 6 or 9 boxes

free-standing: 9 boxes

The locker is mounted to the wall with use of expansion bolts. These locker can become a part of the equipment of garages, covered parking spaces, and even employee locker rooms. Installed outdoors, they must be placed under a roof. Each locker is locked with a cylindrical lock. There is a possibility to use a code lock.

To ensure very good surface quality of steel sheet, the zirconium phosphating and zirconium conversion process was used before powder coating. This process ensures adequate corrosion protection for the specified environment and guarantees high adhesion for the powder coating. The product is coated with a primer that additionally protects against negative environmental influences and with a non-flammable powder paint. The lockers have five-year guarantee! In the first period (24 months), the Guarantor is responsible for all manufacturing defects of the product. In the remaining period (36 months), the Guarantor is responsible for the functional properties of the product, such as the varnish coat and durability of connections of the product elements (welding).

Additional information:

			
	PCS bike battery charging lockers		
Code:	SZNL 1006110503A94	SZNL 1005110503A93	SZNL 1005110103A80
Compartments:	6	9	9
Installation:	wall-mounted locker		free-standing locker
Dimensions:	900x550x300 mm	1325x550x300 mm	1325x400x550 mm

MALOW Spółka z o.o.
ul. Wojska Polskiego 114A
16-400 Suwałki

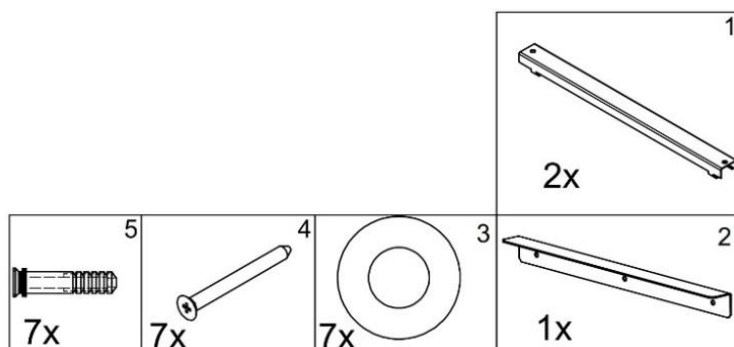
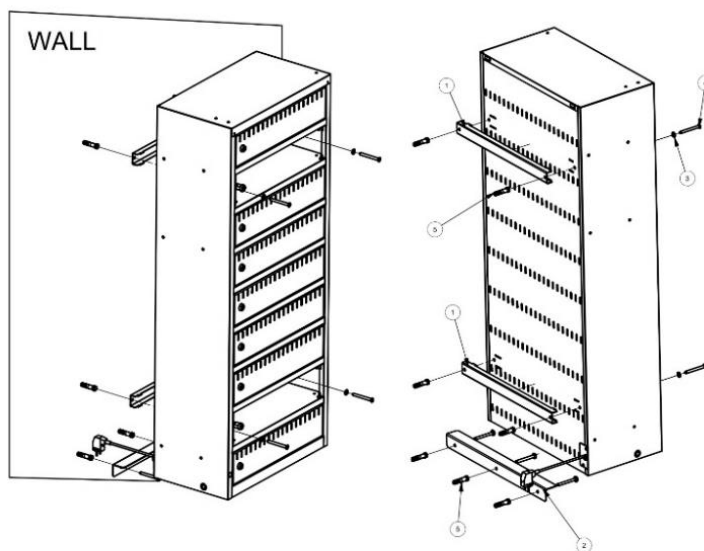


☎ tel. +48 87 566-07-17, 43, 44
☎ fax +48 87 566-07-19
✉ e-mail: marketing@malow.pl

Characteristics

- solid design: body made of 0,8 mm thick galvanized steel, doors made of 1,5 mm thick galvanized steel
- IP21 product protection class
- mounted to a wall with expansion bolts
- size of compartments:
140x540x280 mm (height x width x depth): SZNL 1006110503A94, SZNL 1005110503A93
140x390x530 mm (height x width x depth) : SZNL 1005110103A80
- perforated ventilation of the locker in the doors and the rear wall
- 230V AC 16A sockets of IP44 protection, power cord supplied with „unischuco” plug
- maximum power: 3680W
- equipped with overcurrent fuse, which protects it against overload and short circuit
- any battery that fits in the compartment can be stored in the cabinet, with the exception of lead-acid or other batteries that emit noxious fumes

Instrukcja Installation instruction:



* The presented images are for preview purpose only

MALOW Spółka z o.o.
ul. Wojska Polskiego 114A
16-400 Suwałki



☎ tel. +48 87 566-07-17, 43, 44
☎ fax +48 87 566-07-19
✉ e-mail: marketing@malow.pl