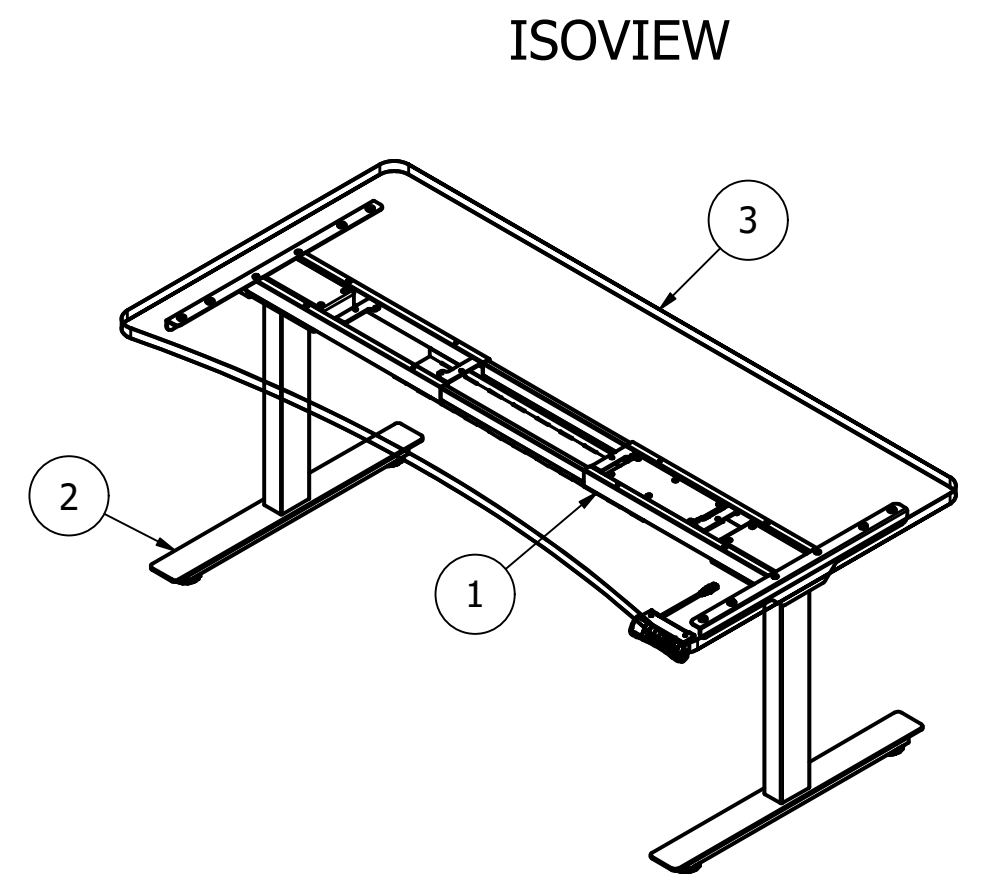
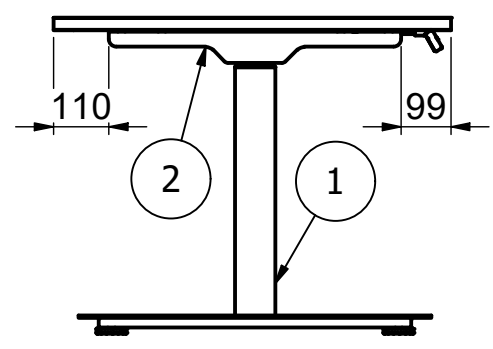
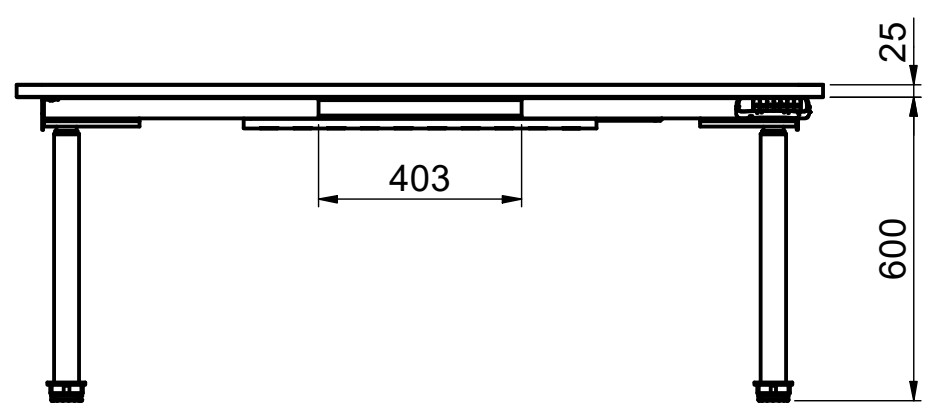
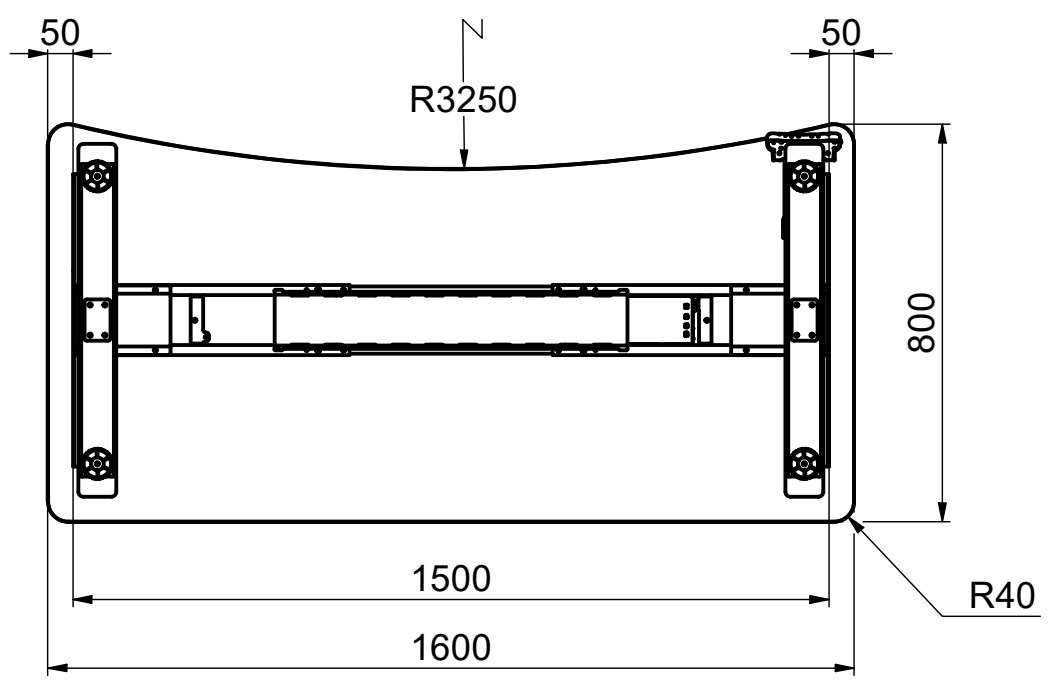


This document is issued by means of a computerized system. The digitally stored original is electronically approved. The approved document has a date entered in the 'Approved' field. A manual signature is therefore not required.

We reserve all rights in document and in the information contained therein. Reproduction, use or disclosure to third parties without express authority is strictly forbidden. © Copyright Sono Group. All rights reserved.

REV	DESCRIPTION	DATE	APPROVED
A	New Drawing	02.03.2022	KPackiyarajah



ITEM	QTY	PARTNUMBER	DESCRIPTION	ERP No
3	1	1003260	DNA Desk-top 1600x800 CURV R40	E16564
2	2	1008368	580 on C sidebar + 700 on C foot	K256995
1	1	1008358	ET222 Main body	K257008

Material:	Surface:	Thickness:	<b>SONO</b> GROUP
Designer: KP	Date: 01.03.2022	Weight: 54 kg	
Tolerances: For dimension without tolerance acc to: 0 3 6 30 120 400 1000 SS-ISO 2768-1 M ±0,1 ±0,1 ±0,2 ±0,3 ±0,5 ±0,8 ±1,2			
Project / Description: <b>DNA Desk 1600x800 CURV RaiseLower</b>		Replacement for:	ERP No: E16062
<b>Desk Rect. w/bow 2-Legs</b>		Drawing number: <b>1004171</b>	Revision: <b>A</b>
<b>Office</b>		SS-ISO 128 1 / 1	Scale: 1:15 Format: A3

All rights reserved. Reproduction in whole or in parts is prohibited without the written consent of the copyright owner.