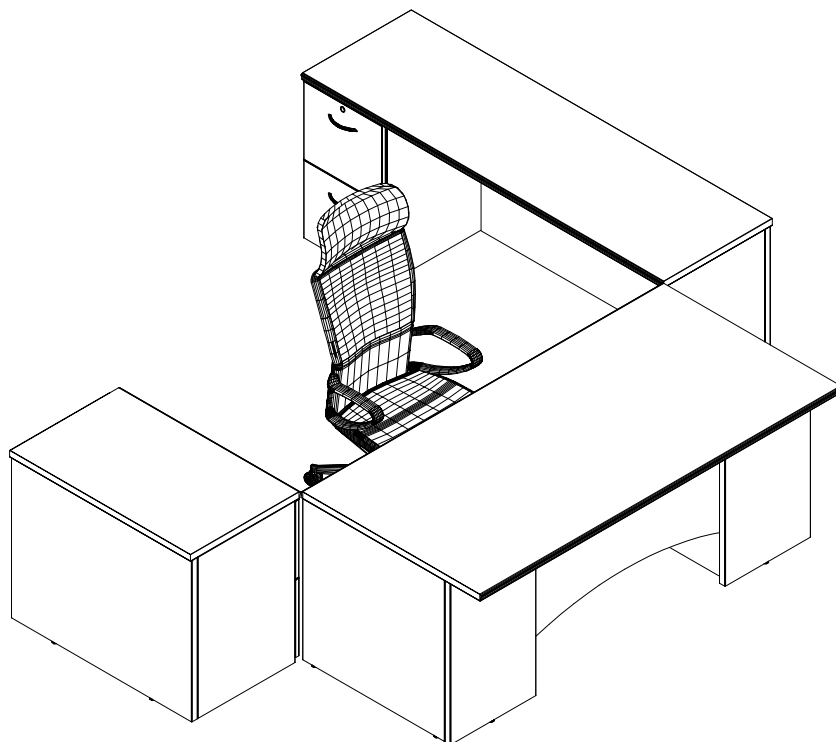


Plan View
scale 1 : 30 mm




3D Isometric
not to scale

HAWORTH

ideastarter

Design Resource Center | www.haworth-asia.com

PRODUCT : APORLANDO
FILE NAME : PO_Executive Desk_APORlando_006.dwg
SAVE DATE : 29-Nov-11
DRAWN/REVISED BY : WYA3

 Email Us For More Info .

This plan is the sole property
of Haworth-Asia Pacific.
Copies are prohibited unless
written consent is provided.