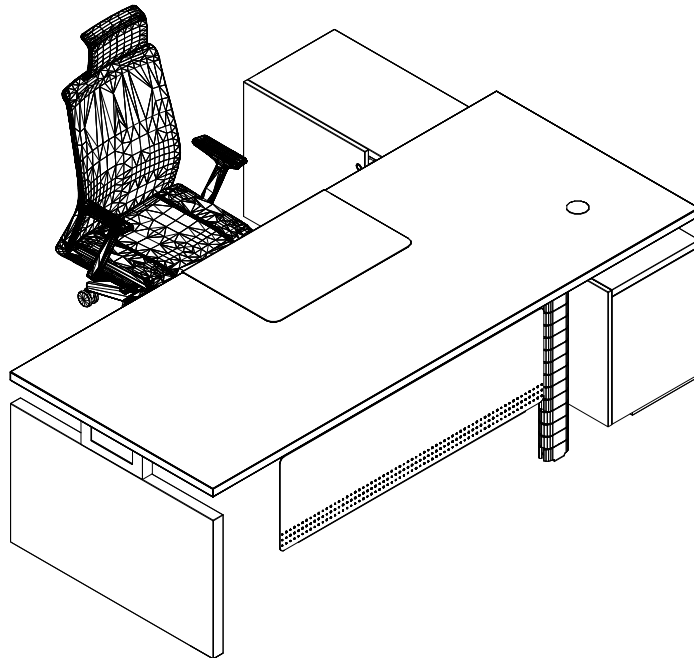


**Plan View**  
scale 1 : 30 mm



**3D Isometric**  
not to scale

HAWORTH

**ideastarter**


Design Resource Center | [www.haworth-asia.com](http://www.haworth-asia.com)

PRODUCT : ESSENCE

FILE NAME : WS\_Freestanding\_Essence\_001-1a.dwg

SAVE DATE : 22-Jul-13

DRAWN/REVISED BY : WYA3

 Email Us For More Info .

This plan is the sole property  
of Haworth-Asia Pacific.  
Copies are prohibited unless  
written consent is provided.