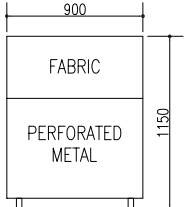
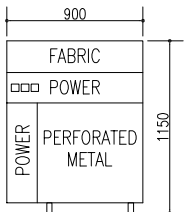


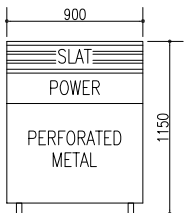
BOTH SIDES
A



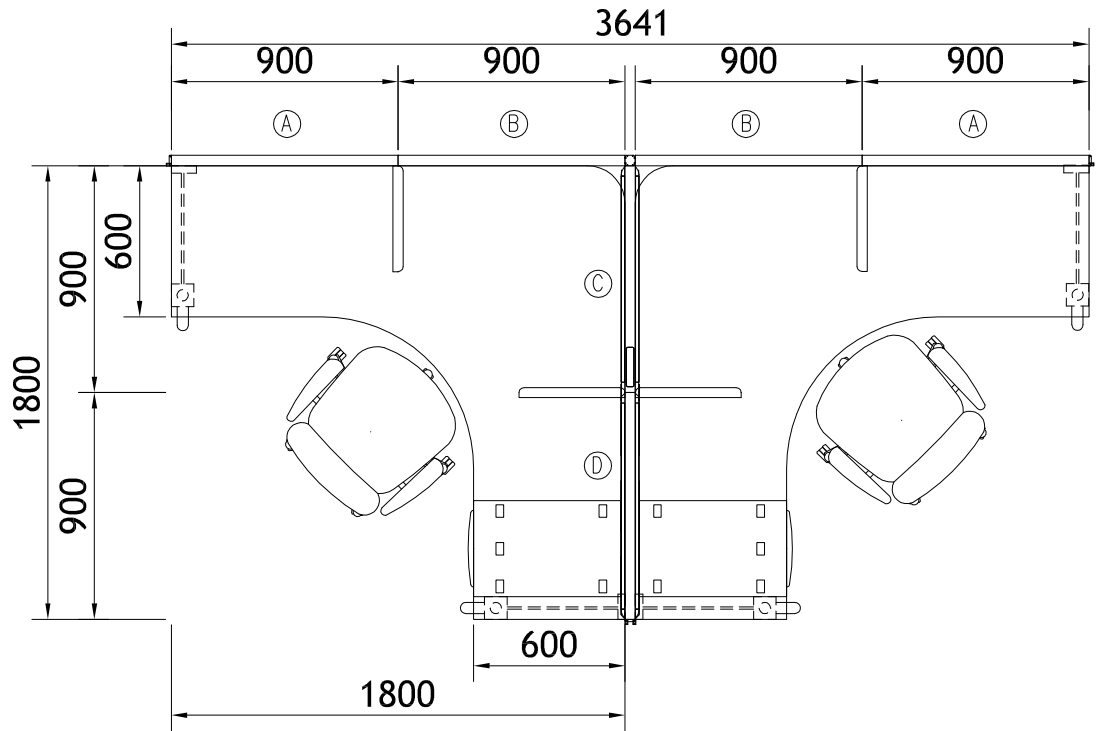
BOTH SIDES
B



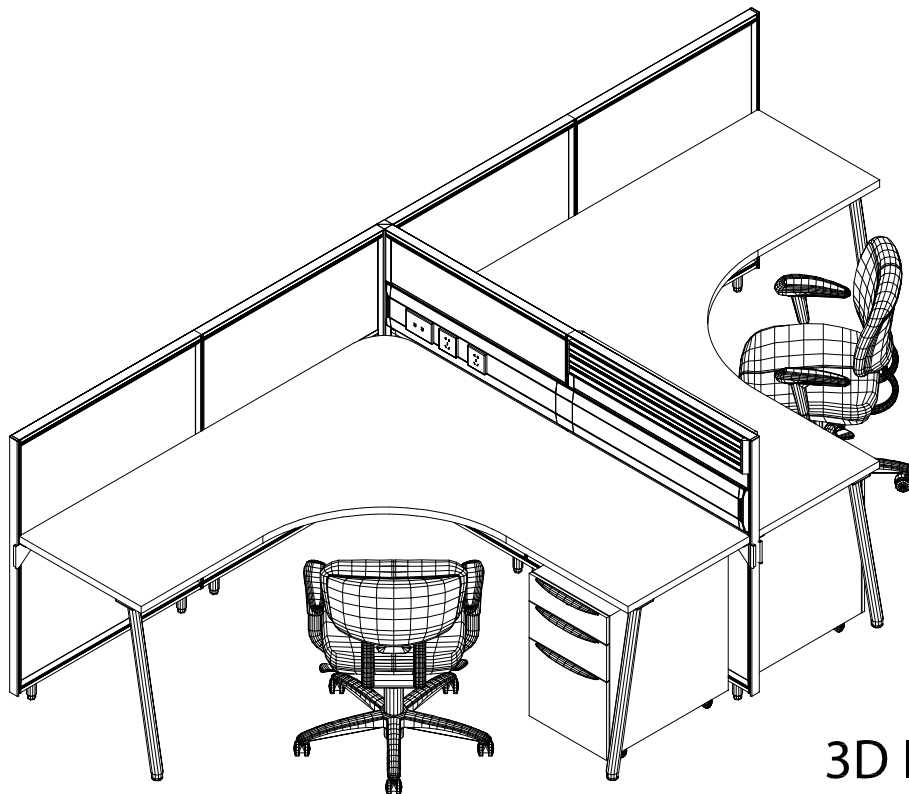
BOTH SIDES
C



BOTH SIDES
D



Plan View
scale 1 : 30 mm



3D Isometric
not to scale