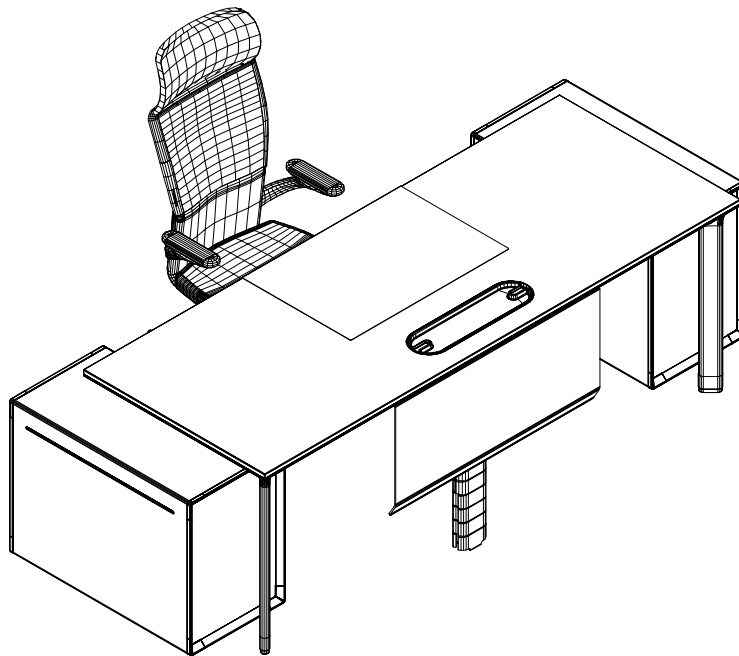


Plan View  
scale 1 : 30 mm



3D Isometric  
not to scale